

STANDARD RECOVERY DIODE (Stud Version) | 普通整流二极管(螺旋式)

Features

- High surge current capability
- Stud cathode and anode version
- Wide current range
- Metric device version available

Applications

- Machine tool controls
- Converter
- Lighting circuits
- Fast recovery custom-made
- Welder
- Motor controls
- Battery charges

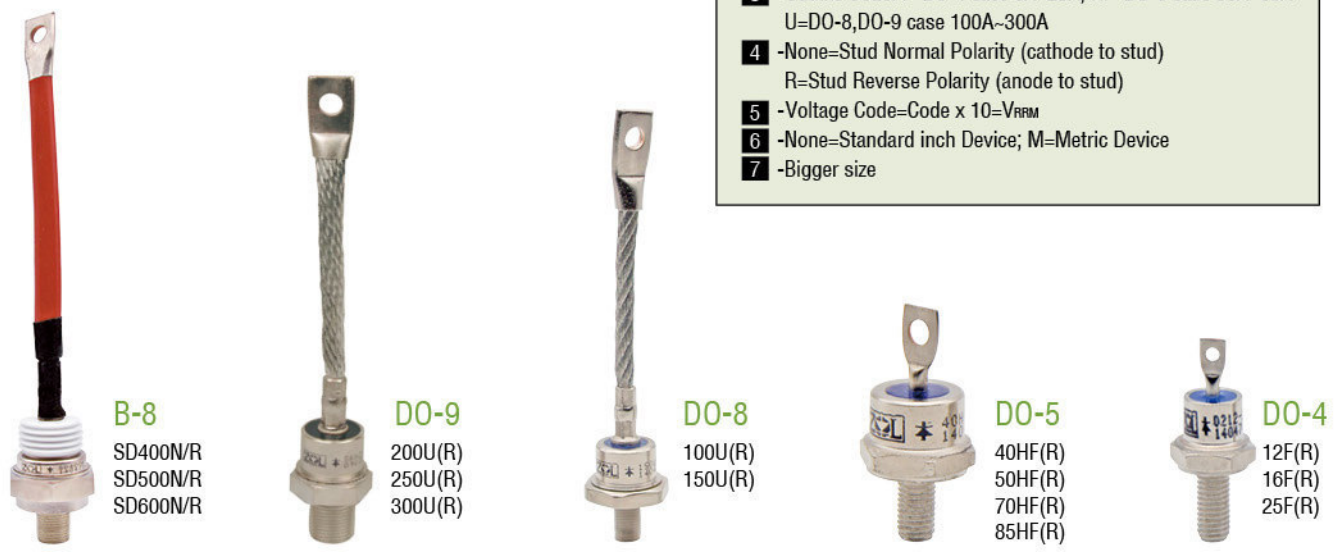
Ordering Information Table



Device Code **FR 70 HF R 120 M L**

① ② ③ ④ ⑤ ⑥ ⑦

- 1 -None-Standard recovery diodes;
FR=Fast recovery diodes
- 2 -Current Code=IF(AV)
- 3 -Outline Code: F=DO-4 case 6A~25A; HF=DO-5 case 30A~85A
U=DO-8,DO-9 case 100A~300A
- 4 -None-Stud Normal Polarity (cathode to stud)
R=Stud Reverse Polarity (anode to stud)
- 5 -Voltage Code=Code x 10=VRRM
- 6 -None-Standard inch Device; M=Metric Device
- 7 -Bigger size



ELECTRICAL SPECIFICATIONS | 电特性参数

Standard Recovery Diode(stud version) 普通整流二极管 (螺旋式)

IF(AV)	VFM/IFM		IF(RMS)	VRRM	IRRM	R _{jc}	T _j	M ²	Wt	Outline
	25°C									
A	V	A	A	V	mA	°C/W	°C			
6	1.1	18	9.0	200-1200	≤6	≤2.0	-40°C ~ +150°C	≤1.0	0.008	DO-4 SKD4 RSD1
12	1.25	36	19.0	200-1200	≤6	≤1.2		≤1.0	0.008	
16	1.25	48	25.0	200-1200	≤12	≤1.2		≤1.0	0.008	
25	1.1	75	40.0	200-1200	≤12	≤1.2		≤1.0	0.008	DO-5 SKD5/SKD5L RSD2/RSD3
30	1.3	90	48.0	200-1600	≤10	≤0.8		≤2.0	0.020	
40	1.3	120	64.0	200-1600	≤10	≤0.8		≤2.0	0.020	
50	1.4	150	80.0	200-1600	≤10	≤0.8		≤2.0	0.020	
60	1.4	180	96.0	200-1600	≤12	≤0.6		≤2.0	0.020	
70	1.45	210	112.0	200-1600	≤12	≤0.5		≤2.0	0.020	
85	1.45	255	136.0	200-1600	≤12	≤0.4		≤2.0	0.020	DO-8/DO-30 SKD8/RSD5
100	1.8	300	160.0	200-1800	≤15	≤0.3		≤12	0.140	
150	1.5	450	240.0	200-1800	≤15	≤0.3		≤12	0.140	
200	1.3	600	320.0	200-1800	≤20	≤0.2		≤12	0.250	DO-9/SKD9 RSD6
250	1.35	750	400.0	200-1800	≤20	≤0.15		≤25	0.250	
300	1.35	900	480.0	200-1800	≤20	≤0.15		≤25	0.250	
400	1.6	1200	640.0	400-2600	≤40	≤0.07		≤25	0.550	B-8/SKD10 RSD7
500	1.6	1500	800.0	400-2600	≤40	≤0.065	≤25	0.580		
600	1.5	1800	960.0	400-2600	≤40	≤0.065	≤30	0.580		

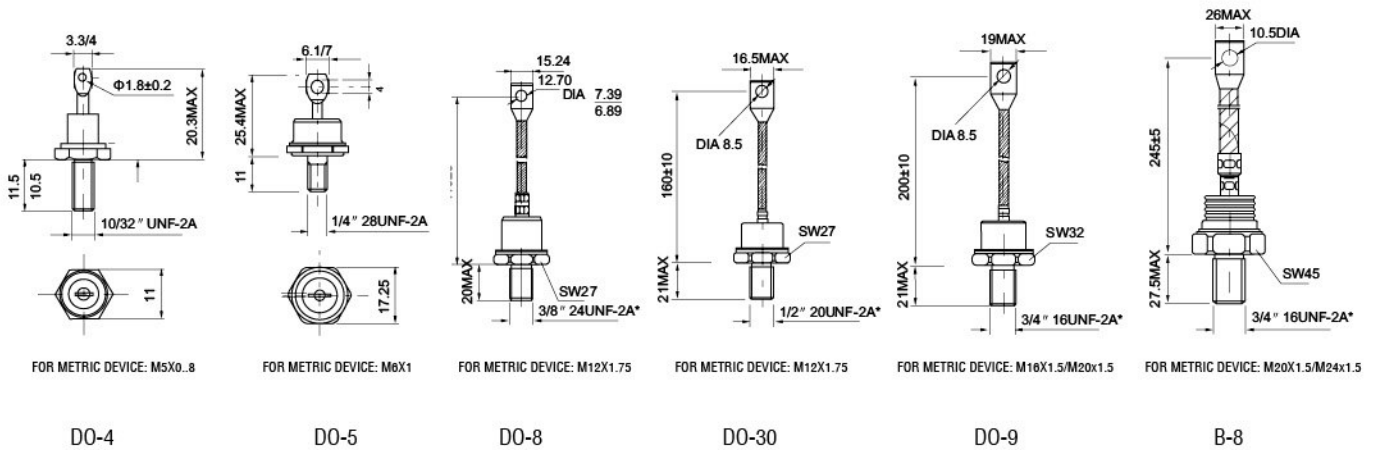
Fast Recovery Diode(stud version) 快恢复整流二极管(螺旋式)

IF(AV)	V _{FM} /I _{FM}		IF(RMS)	V _{RRM}	I _{RRM}	R _{jc}	T _{rr}	T _j	M ²	Wt	Outline
THS55℃	25℃										
A	V	A	A	V	mA	℃/W	μs	℃	N/m	kg	
10	1.5	30	16.0	200-1200	≤6	≤2.0	≤0.5	-40℃ ~ +150℃	≤1.0	0.008	DO-4
15	1.55	45	24.0	200-1200	≤12	≤1.2	≤0.5		≤1.0	0.008	SKD4
20	1.70	60	32.0	200-1200	≤12	≤1.2	≤0.5		≤1.0	0.008	RSD1
40	1.95	120	64.0	200-1200	≤10	≤1.2	≤0.7		≤2.0	0.020	DO-5 SKD5/SKD5L RSD2/RSD3
50	1.90	150	80.0	200-1200	≤10	≤1.2	≤0.7		≤2.0	0.020	
70	1.85	210	112.0	200-1200	≤12	≤0.8	≤1.0		≤2.0	0.020	
85	1.85	255	136.0	200-1200	≤12	≤0.8	≤1.0		≤2.0	0.020	DO-8/DO-30 SKD8/RSD5
100	2.05	300	160.0	200-1200	≤15	≤0.3	≤1.5		≤12	0.120	
150	2.00	450	240.0	200-1800	≤20	≤0.2	≤1.5		≤25	0.250	DO-9/SKD9 RSD6
200	2.05	600	320.0	200-1800	≤20	≤0.2	≤2.0		≤25	0.250	
250	2.00	750	400.0	200-1800	≤20	≤0.18	≤2.5		≤25	0.260	
300	1.95	900	480.0	200-1800	≤20	≤0.16	≤2.5		≤25	0.270	

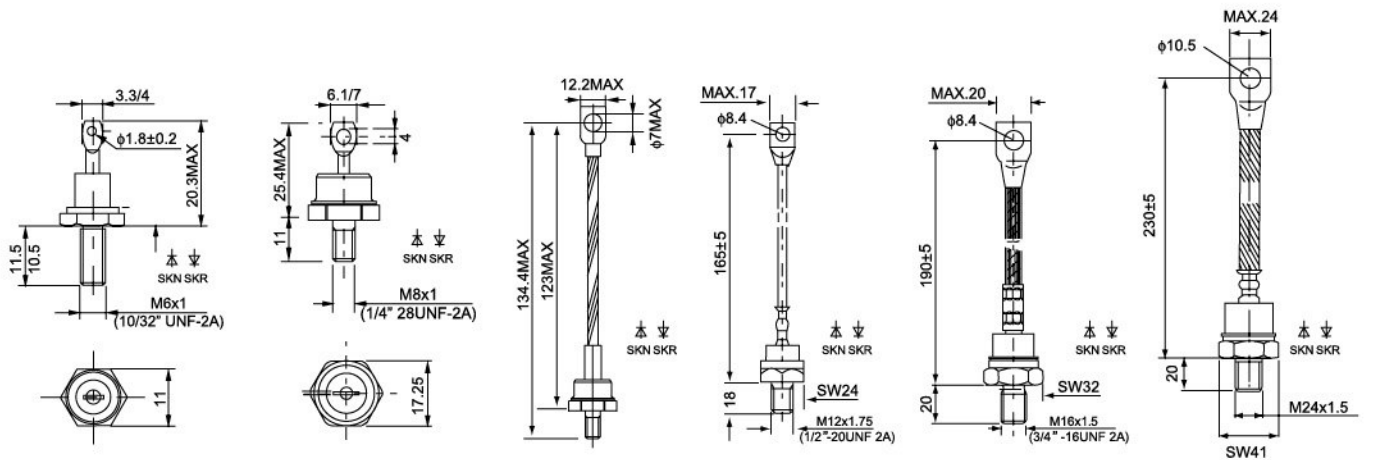


Outline Table(Diode) 外形尺寸(二极管)

IGBT / VISDAR Type



SEMIKRON Type



Russia Type

