

Silicon NPN Power Transistors

2N6121 2N6122 2N6123

DESCRIPTION

- With TO-220 package
- Complement to PNP type :
2N6124 ;2N6125 ;2N6126

APPLICATIONS

- For use in power amplifier and switching circuit applications

PINNING

PIN	DESCRIPTION
1	Base
2	Collector;connected to mounting base
3	Emitter

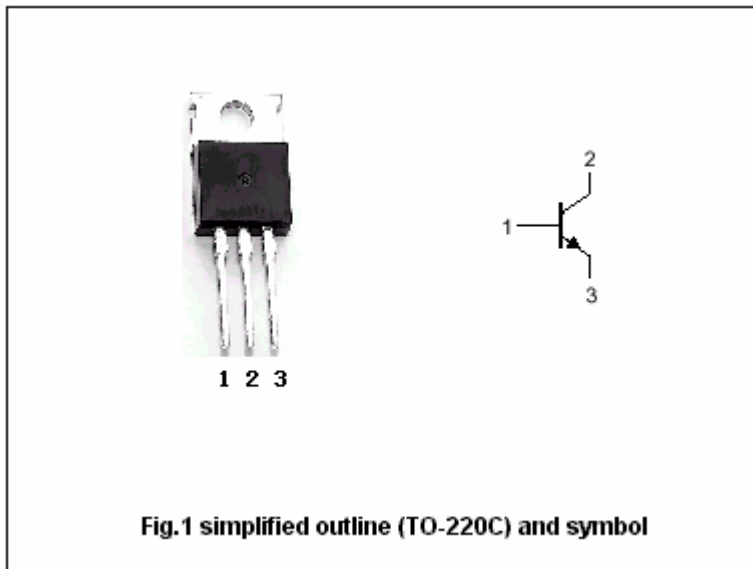


Fig.1 simplified outline (TO-220C) and symbol

Absolute maximum ratings(Ta=25°C)

SYMBOL	PARAMETER	CONDITIONS	VALUE	UNIT
V _{CBO}	Collector-base voltage	2N6121	45	V
		2N6122	60	
		2N6123	80	
V _{CEO}	Collector-emitter voltage	2N6121	45	V
		2N6122	60	
		2N6123	80	
V _{EBO}	Emitter-base voltage	Open collector	5	V
I _C	Collector current		4	A
I _{CM}	Collector current-peak		8	A
I _B	Base current		1	A
P _T	Total power dissipation	T _C =25°C	40	W
T _j	Junction temperature		150	°C
T _{stg}	Storage temperature		-65~150	°C

THERMAL CHARACTERISTICS

SYMBOL	PARAMETER	MAX	UNIT
R _{th j-c}	Thermal resistance from junction to case	3.125	°C/W

Silicon NPN Power Transistors

2N6121 2N6122 2N6123

CHARACTERISTICS

T_j=25 °C unless otherwise specified

SYMBOL	PARAMETER	CONDITIONS	MIN	TYP.	MAX	UNIT
V _{CE0(SUS)}	Collector-emitter sustaining voltage	2N6121	I _C =0.1A ; I _B =0			V
		2N6122				
		2N6123				
V _{CEsat-1}	Collector-emitter saturation voltage	I _C =1.5A; I _B =0.15A			0.6	V
V _{CEsat-2}	Collector-emitter saturation voltage	I _C =4.0A; I _B =1.0A			1.4	V
V _{BE}	Base-emitter on voltage	I _C =1.5A ; V _{CE} =2V			1.2	V
I _{CEX}	Collector cut-off current	2N6121	V _{CE} =45V; V _{BE} =1.5V T _C =125 °C			mA
		2N6122				
		2N6123				
I _{CEO}	Collector cut-off current	2N6121	V _{CE} =45V; I _B =0			mA
		2N6122				
		2N6123				
I _{EBO}	Emitter cut-off current	V _{EB} =5V; I _C =0			1.0	mA
h _{FE-1}	DC current gain	2N6121	I _C =1.5A ; V _{CE} =2V	25		100
		2N6122				
		2N6123				
h _{FE-2}	DC current gain	2N6121	I _C =4A ; V _{CE} =2V	10		
		2N6122				
		2N6123				
f _T	Transition frequency	I _C =1A ; V _{CE} =4V	2.5			MHz

Silicon NPN Power Transistors

2N6121 2N6122 2N6123

PACKAGE OUTLINE

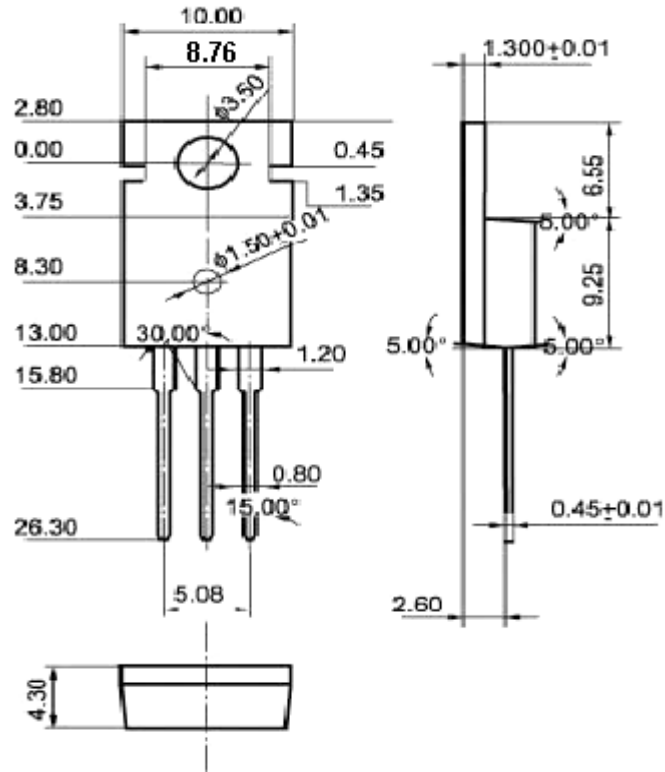


Fig.2 Outline dimensions(unindicated tolerance:±0.10 mm)