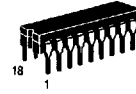


MC145432

2600 Hz Tone Signaling Filter

This device contains a bypassable 6-pole, 2600 Hz notch filter, a 2-pole 2600 Hz band-pass filter, and a 2600 Hz sine wave generator for SF signaling/detection applications.

- $\pm 5\text{ V}$ to $\pm 8\text{ V}$ Single or Split Supply Operation
- Low Power Consumption: 80 mW @ 10 V
200 mW @ 15 V
- On-Board Crystal Oscillator or External Clocks
- Notch Filter Gain Adjustable
- Uncommitted Op Amp Capable of Driving 600 Ω Loads
- TTL or CMOS Compatible Inputs
- 18-Pin Package



L SUFFIX
 CERAMIC
 CASE 726



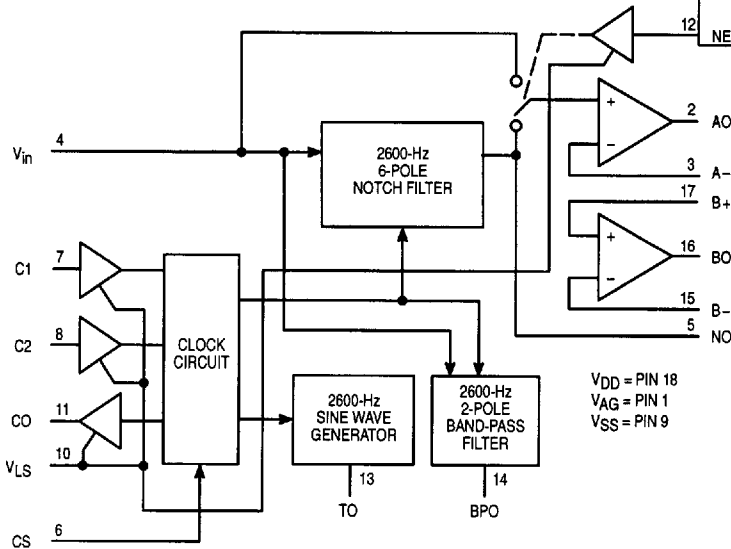
P SUFFIX
 PLASTIC
 CASE 707

**NOT
 RECOMMENDED
 FOR NEW DESIGN**

PIN ASSIGNMENT

VAG	1	18	VDD
AO	2	17	B+
A-	3	16	BO
V _{in}	4	15	B-
NO	5	14	BPO
CS	6	13	TO
C1	7	12	NE
C2	8	11	CO
VSS	9	10	VLS

BLOCK DIAGRAM



VDD = PIN 18
 VAG = PIN 1
 VSS = PIN 9