

# W91310 SERIES



## TONE/PULSE DIALER WITH REDIAL FUNCTION

### GENERAL DESCRIPTION

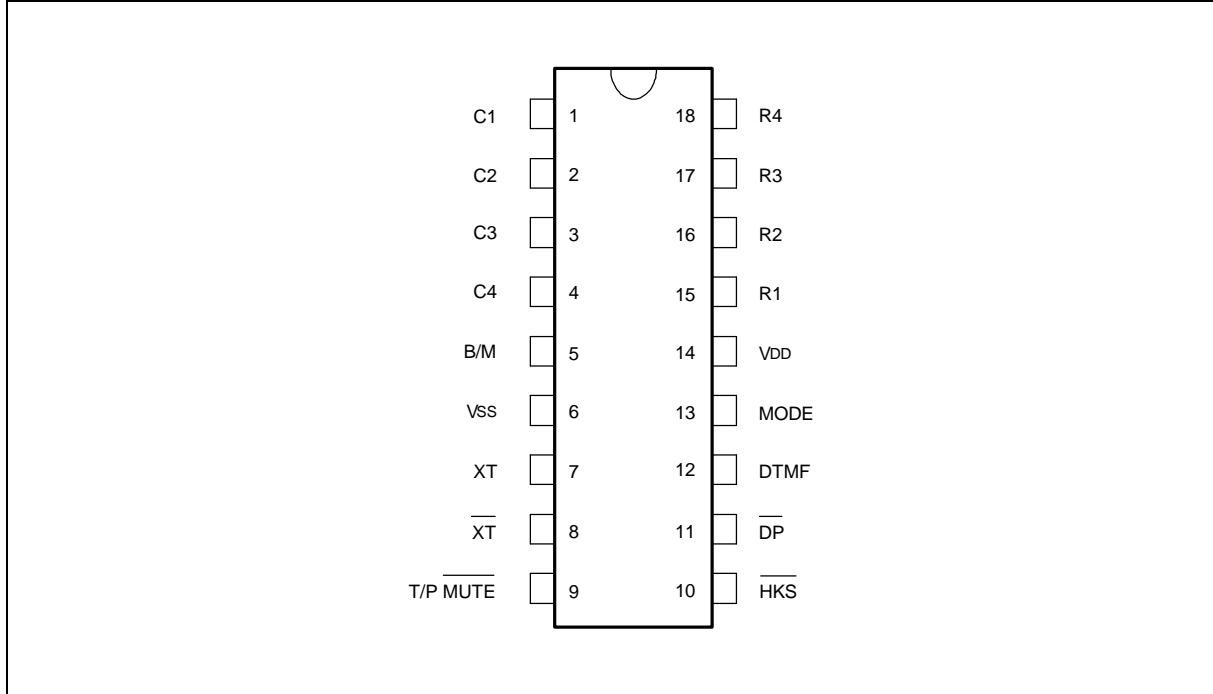
The W91310 series are monolithic ICs that provide the necessary signals for either pulse or tone dialing. The W91310 series feature a redial memory.

### FEATURES

- DTMF/Pulse switchable dialer
- 32 digits for redial memory
- Pulse-to-tone (P→T) keypad for long distance call operation
- Break/Make ratio is selectable by pin option
- Uses 4 × 4 keyboard
- Easy operation with redial, flash, pause, and P→T keypads
- Flash, pause, P→T (pulse-to-tone) can be stored as a digit in memory
- Minimum tone output duration: 100 mS
- Minimum intertone pause: 100 mS
- On-chip power-on reset
- Uses 3.579545 MHz crystal or ceramic resonator
- Packaged in 18-pin plastic DIP
- The different dialers in the W91310 series are shown in the following table:

TYPE NO.	PULSE (ppS)	FLASH (mS)	FLASH PAUSE (mS)	PAUSE (S)
W91312/A	10/20	600/300	600/300	2.0
W91314/A	10/20	73/100	140/100	3.6
W91316	10/20	600	600	3.6

## PIN CONFIGURATION



## PIN DESCRIPTION

SYMBOL	PIN	I/O	FUNCTION
Column-Row Inputs	1-4 & 15-18	I	The keyboard input may be from either the standard 4 × 4 keyboard or an inexpensive single contact (form A) keyboard. Electronic input from a $\mu$ C can also be used. A valid key entry is defined as a single row being connected to a single column.
XT, XT $\bar$	7, 8	I, O	A built-in inverter provides oscillation with an inexpensive 3.579545 MHz crystal or ceramic resonator.
T/P MUTE	9	O	The T/P MUTE is a conventional CMOS N-channel open drain output. The output transistor is switched on during pulse and tone mode dialing sequence and flash break. Otherwise, it is switched off.
MODE	13	I	Pulling mode pin to Vss places the dialer in tone mode. Pulling mode pin to VDD places the dialer in pulse mode (10 ppS). Leaving mode pin floating places the dialer in pulse mode (20 ppS).
HKS	10	I	Hook switch input. HKS = 1: On-hook state. Chip in sleeping mode, no operation. HKS = 0: Off-hook state. Chip enabled for normal operation. The HKS pin is pulled to VDD by an internal resistor.

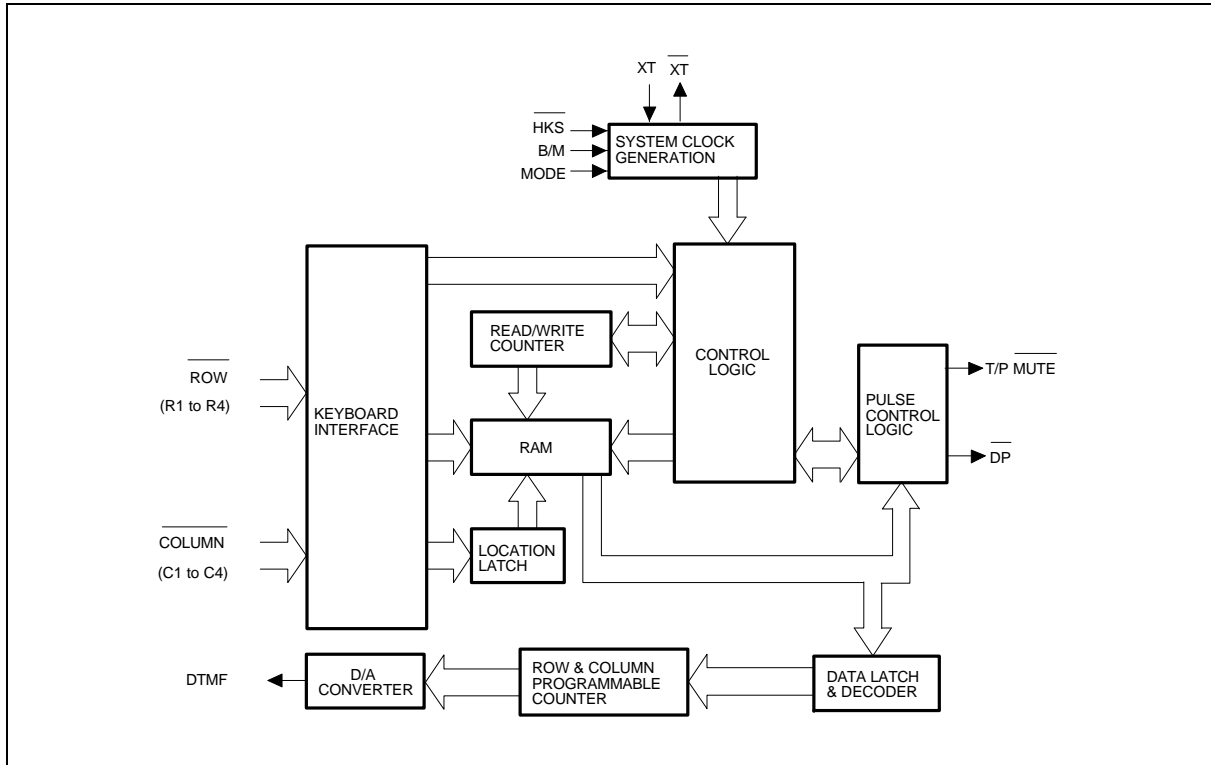
# W91310 SERIES



Pin Description, continued

SYMBOL	PIN	I/O	FUNCTION																																				
$\overline{DP}$	11	O	N-channel open drain dialing pulse output (Figure 1). Flash key will cause DP to go active in both pulse mode and tone mode.																																				
DTMF	12	O	<p>In pulse mode, remains in low state at all times. In tone mode, outputs a dual or single tone. Detailed timing diagram for tone mode is shown in Figure 2(a, b).</p> <table border="1"> <thead> <tr> <th colspan="4">OUTPUT FREQUENCY</th> </tr> <tr> <th></th> <th>Specified</th> <th>Actual</th> <th>Error %</th> </tr> </thead> <tbody> <tr> <td>R1</td> <td>697</td> <td>699</td> <td>+0.28</td> </tr> <tr> <td>R2</td> <td>770</td> <td>766</td> <td>-0.52</td> </tr> <tr> <td>R3</td> <td>852</td> <td>848</td> <td>-0.47</td> </tr> <tr> <td>R4</td> <td>941</td> <td>948</td> <td>+0.74</td> </tr> <tr> <td>C1</td> <td>1209</td> <td>1216</td> <td>+0.57</td> </tr> <tr> <td>C2</td> <td>1336</td> <td>1332</td> <td>-0.30</td> </tr> <tr> <td>C3</td> <td>1477</td> <td>1472</td> <td>-0.34</td> </tr> </tbody> </table>	OUTPUT FREQUENCY					Specified	Actual	Error %	R1	697	699	+0.28	R2	770	766	-0.52	R3	852	848	-0.47	R4	941	948	+0.74	C1	1209	1216	+0.57	C2	1336	1332	-0.30	C3	1477	1472	-0.34
OUTPUT FREQUENCY																																							
	Specified	Actual	Error %																																				
R1	697	699	+0.28																																				
R2	770	766	-0.52																																				
R3	852	848	-0.47																																				
R4	941	948	+0.74																																				
C1	1209	1216	+0.57																																				
C2	1336	1332	-0.30																																				
C3	1477	1472	-0.34																																				
VDD, VSS	14, 6	I	Power input pins.																																				
B/M	5	I	The break make ratio is 60:40 if B/M = 1 and is 66.6:33.3 if B/M = 0. This pin has no function in DTMF mode.																																				

## BLOCK DIAGRAM



## FUNCTIONAL DESCRIPTION

### Keyboard Operation

C1	C2	C3	C4	
1	2	3		R1
4	5	6	F	R2
7	8	9	P→T	R3
*	0	#	R/P	R4

- F: Flash key
- R/P: Redial and pause function key
- P→T: Pulse mode to tone mode

### Normal Dialing

OFF HOOK , D1 , D2 , ..., Dn

1. D1, D2, ..., Dn will be dialed out.
2. Dialing length is unlimited, but redial is inhibited if length oversteps 32 digits.



## Redialing

OFF HOOK , D1 , D2 , ..., Dn BUSY, COME ON HOOK , OFF HOOK , R/P

The R/P key can execute redial function only as the first key-in after off-hook; otherwise, it will execute pause function.

## Access Pause

OFF HOOK , D1 , D2 , R/P , D3 , ..., Dn

1. The pause function can be stored in memory.
2. The pause function is executed in normal dialing or memory dialing.
3. The pause function timing diagram is shown in Figure 3.

## Pulse-to-tone (P→T)

OFF HOOK , D1 , D2 , ..., Dn , P→T , D1' , D2' , ..., Dn'

1. If the mode switch is set to pulse mode, then the output signal will be:  
D1, D2, ..., Dn, Pause, D1', D2', ..., Dn'  
(Pulse) (Tone)
2. If the mode switch is set to tone mode, then the output signal will be:  
D1, D2, ..., Dn, P→T D1, D2, ..., Dn,  
(Tone) (Pause) (Tone)
3. The dialer remains in tone mode when the digits have been dialed out and can be reset to pulse mode only by going on-hook.
4. The P→T function timing diagram is shown in Figure 4.

## Flash

OFF HOOK , F

1. Flash key can be stored as a digit in memory.
2. The system will return to the initial state after the break time is finished.
3. The flash function timing diagram is shown in Figure 5.

# W91310 SERIES



## ABSOLUTE MAXIMUM RATINGS

PARAMETER	SYMBOL	RATING	UNIT
DC Supply Voltage	V <sub>DD-VSS</sub>	-0.3 to +7.0	V
Input/Output Voltage	V <sub>IL</sub>	V <sub>SS</sub> -0.3	V
	V <sub>IH</sub>	V <sub>DD</sub> +0.3	V
	V <sub>OL</sub>	V <sub>SS</sub> -0.3	V
	V <sub>OH</sub>	V <sub>DD</sub> +0.3	V
Power Dissipation	P <sub>D</sub>	120	mW
Operating Temperature	T <sub>OPR</sub>	-20 to +70	°C
Storage Temperature	T <sub>STG</sub>	-55 to +125	°C

Note: Exposure to conditions beyond those listed under Absolute Maximum Ratings may adversely affect the life and reliability of the device.

## DC CHARACTERISTICS

(V<sub>DD-VSS</sub> = 2.5V, F<sub>osc</sub> = 3.58 MHz, T<sub>A</sub> = 25° C, all outputs unloaded)

PARAMETER	SYM.	CONDITIONS	MIN.	TYP.	MAX.	UNIT
Operating Voltage	V <sub>DD</sub>		2.0	-	5.5	V
Operating Current	I <sub>OP</sub>	Tone	-	0.3	0.5	mA
		Pulse	-	0.15	0.3	mA
Standby Current	I <sub>SB</sub>	H <sub>KS</sub> = 0, No load, & No key entry	-	-	15	μA
Memory Retention Current	I <sub>MR</sub>	H <sub>KS</sub> = 1, V <sub>DD</sub> = 1.0V	-	-	0.2	μA
DTMF Output Voltage	V <sub>TO</sub>	Row group, R <sub>L</sub> = 5 KΩ	130	150	170	mV <sub>rms</sub>
Pre-emphasis		Col/Row, V <sub>DD</sub> = 2.0 to 5.5V	1	2	3	dB
DTMF Distortion	THD	R <sub>L</sub> = 5 KΩ, V <sub>DD</sub> = 2.0 to 5.5V	-	-30	-23	dB
DTMF Output DC Level	V <sub>TDC</sub>	R <sub>L</sub> = 5 KΩ, V <sub>DD</sub> = 2.0 to 5.5V	1.0	-	3.0	V
DTMF Output Sink Current	I <sub>TL</sub>	V <sub>TO</sub> = 0.5V	0.2	-	-	mA
DP Output Sink Current	I <sub>PL</sub>	V <sub>PO</sub> = 0.5V	0.5	-	-	mA
T/P MUTE Output Sink Current	I <sub>ML</sub>	V <sub>MO</sub> = 0.5V	0.5	-	-	mA
H <sub>KS</sub> I/P Pull-high Resistor	R <sub>KH</sub>		-	300	-	KΩ

# W91310 SERIES



DC Characteristics, continued

PARAMETER	SYM.	CONDITIONS	MIN.	TYP.	MAX.	UNIT
Keypad Input Drive Current	IKD	$V_i = 0V$	30	-	-	$\mu A$
Keypad Input Sink Current	IKS	$V_i = 2.5V$	200	400	-	$\mu A$
Keypad Resistance			-	-	5.0	$K\Omega$

## AC CHARACTERISTICS

PARAMETER	SYMBOL	CONDITIONS	MIN.	TYP.	MAX.	UNIT
Keypad Active in Debounce	TKID		-	20	-	mS
Key Release Debounce	TKRD		-	20	-	mS
Pre-digit Pause <sup>1</sup>	TPDP1 10 ppS	B/M = 1	-	40	-	mS
		B/M = 0	-	33.3	-	
Pre-digit Pause <sup>2</sup>	TPDP2 20 ppS	B/M = 1	-	20	-	mS
		B/M = 0	-	16.7	-	
Interdigit Pause (Auto dialing)	TIDP	10 ppS	-	800	-	mS
		20 ppS	-	500	-	
Make/Break Ratio	M/B	B/M = 1	-	40:60	-	%
		B/M = 0	-	33:67	-	
DTMF Output Duration	TTD	Auto Dialing	-	100	-	mS
Intertone Pause	TITP	Auto Dialing	-	100	-	mS
Flash Break Time	TFB	W91314	-	73	-	mS
		W91314A	-	100	-	
		W91312A	-	300	-	
		W91312/W91316	-	600	-	
Flash Pause Time	TFP	W91314A	-	100	-	mS
		W91314	-	140	-	
		W91312A	-	300	-	
		W91312/W91316	-	600	-	
Pause Time	TP	W91312	-	2.0	-	S
		W91314/A/W91316	-	3.6	-	

Notes:

- Crystal parameters suggested for proper operation are  $R_s < 100 \Omega$ ,  $L_m = 96 \text{ mH}$ ,  $C_m = 0.02 \text{ pF}$ ,  $C_n = 5 \text{ pF}$ ,  $C_l = 18 \text{ pF}$ ,  $F_{osc} = 3.579545 \text{ MHz} \pm 0.02\%$ .
- Crystal oscillator accuracy directly affects these times.

Publication Release Date: January 1995



TIMING WAVEFORMS

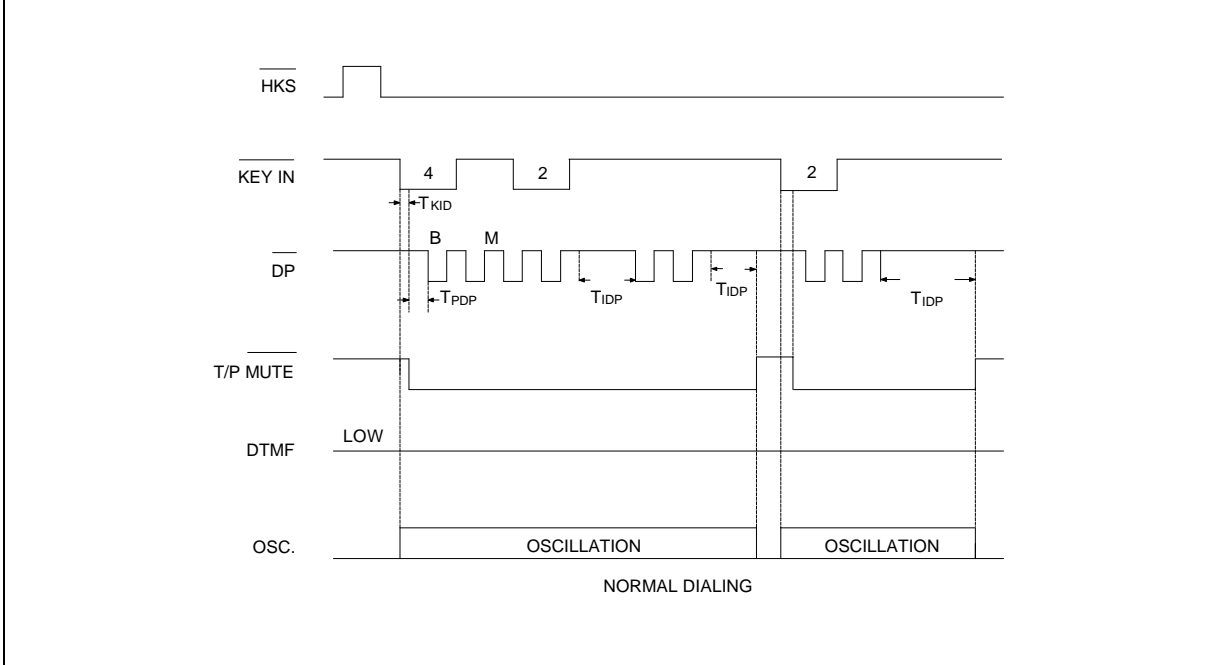


Figure 1(a). Pulse Mode Timing Diagram

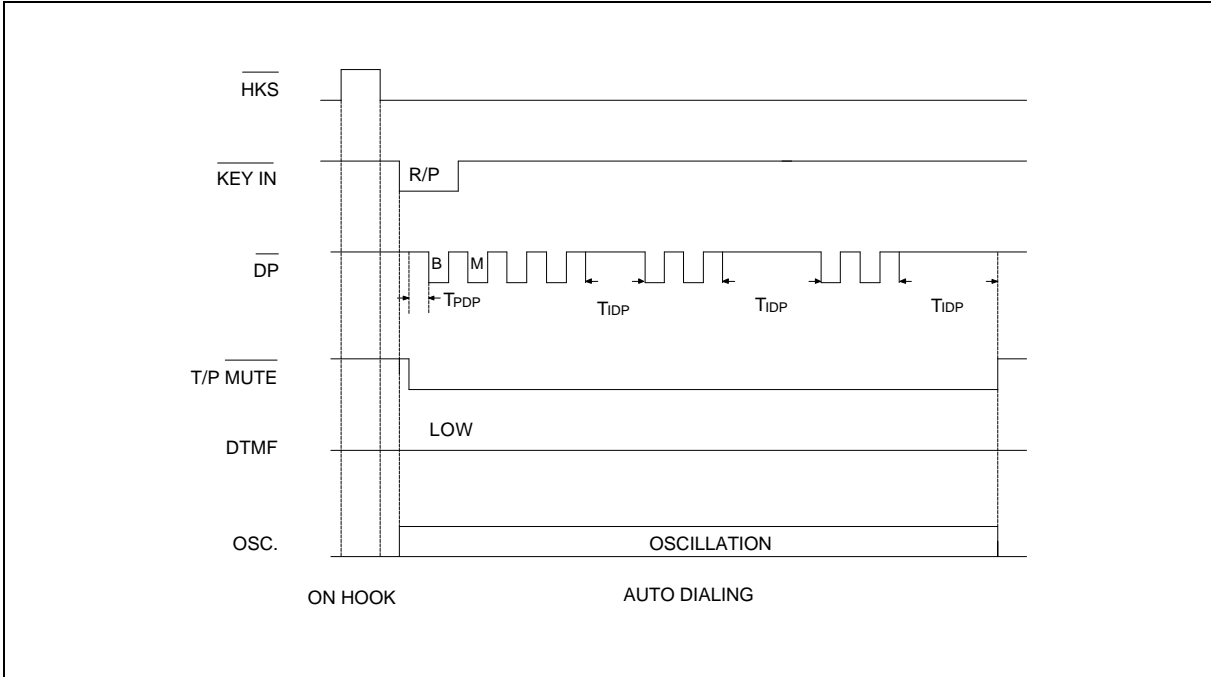


Figure 1(b). Pulse Mode Timing Diagram



Timing Waveforms, continued

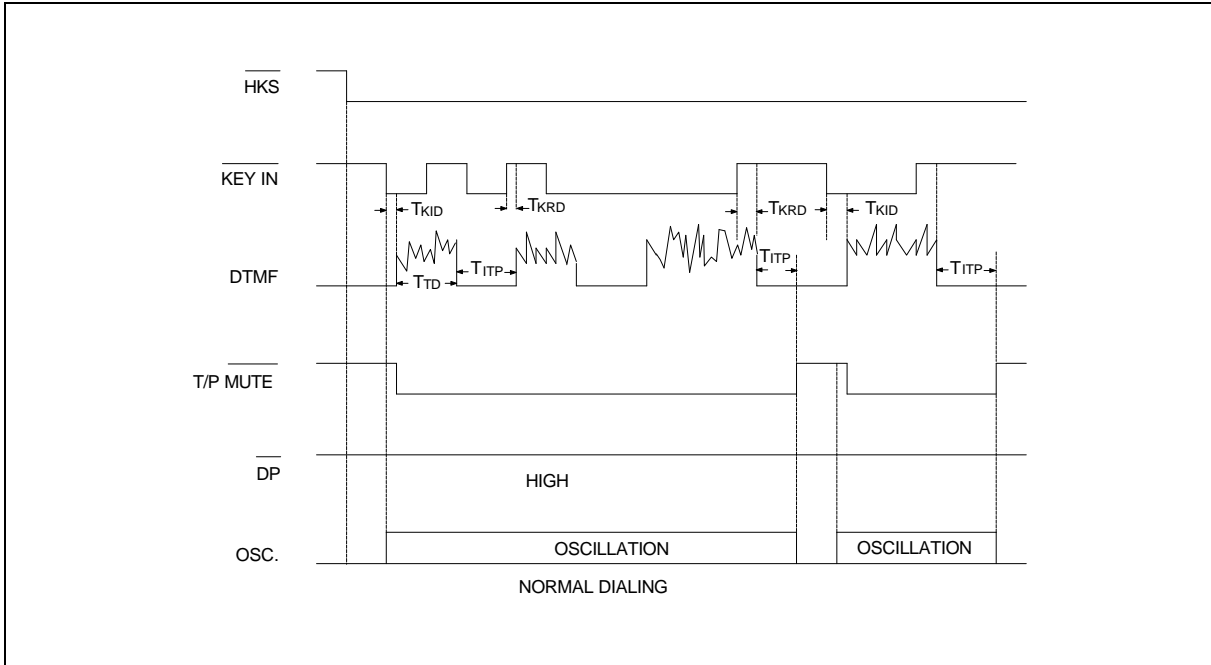


Figure 2(a). Tone Mode Timing Diagram

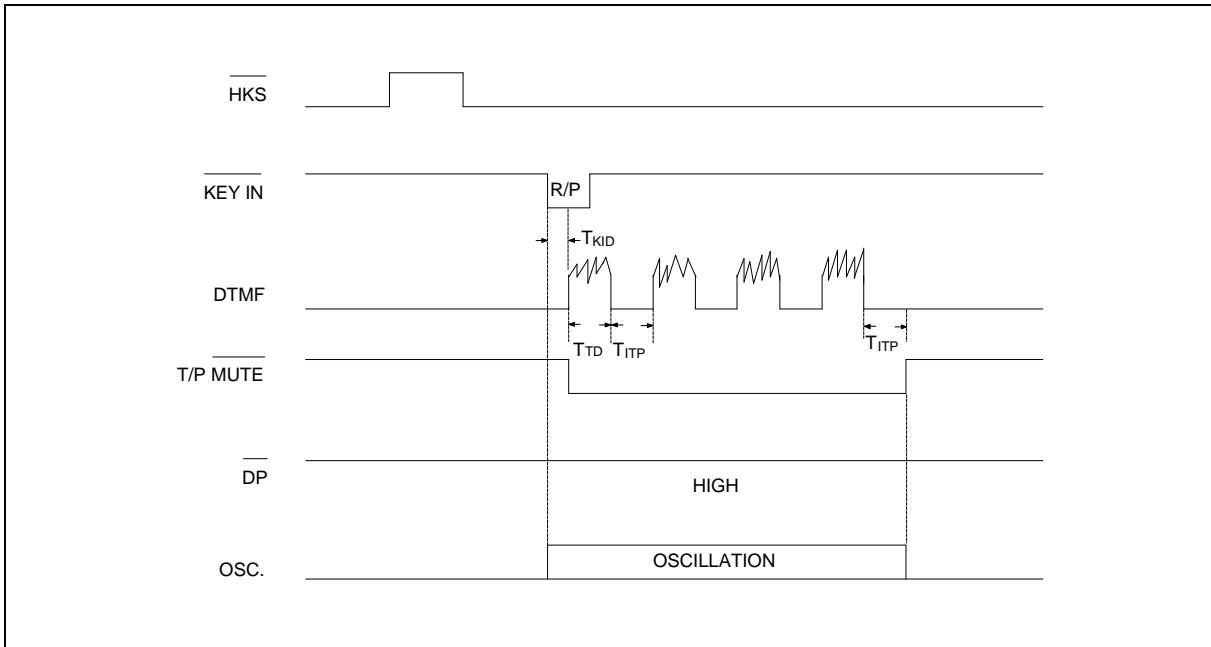


Figure 2(b). Tone Mode Auto Dialing Timing Diagram

Timing Waveforms, continued

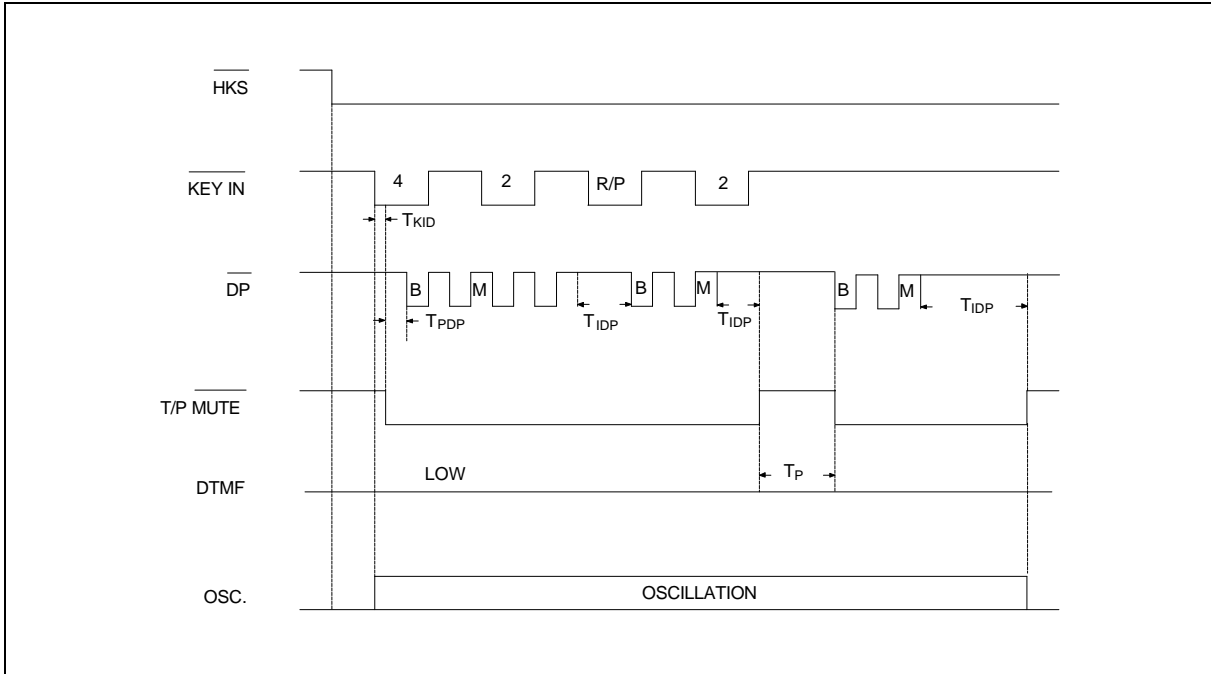


Figure 3. Pause Function Timing Diagram

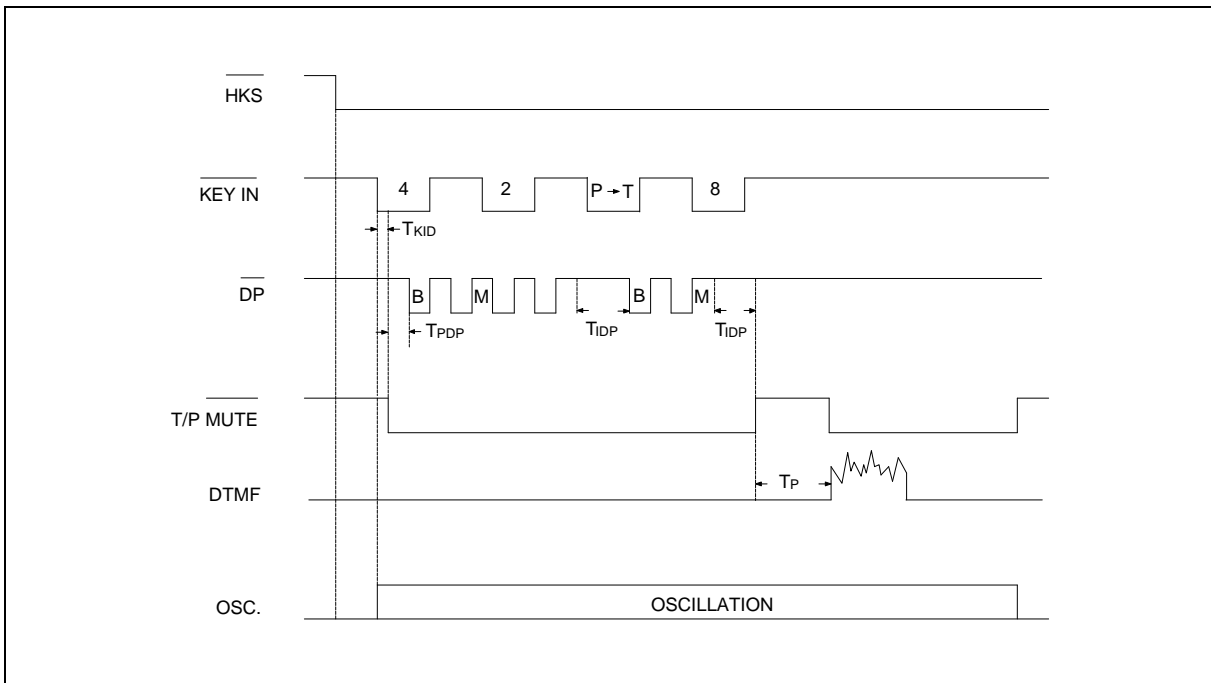


Figure 4. Pulse-to-tone Function Timing Diagram



Timing Waveforms, continued

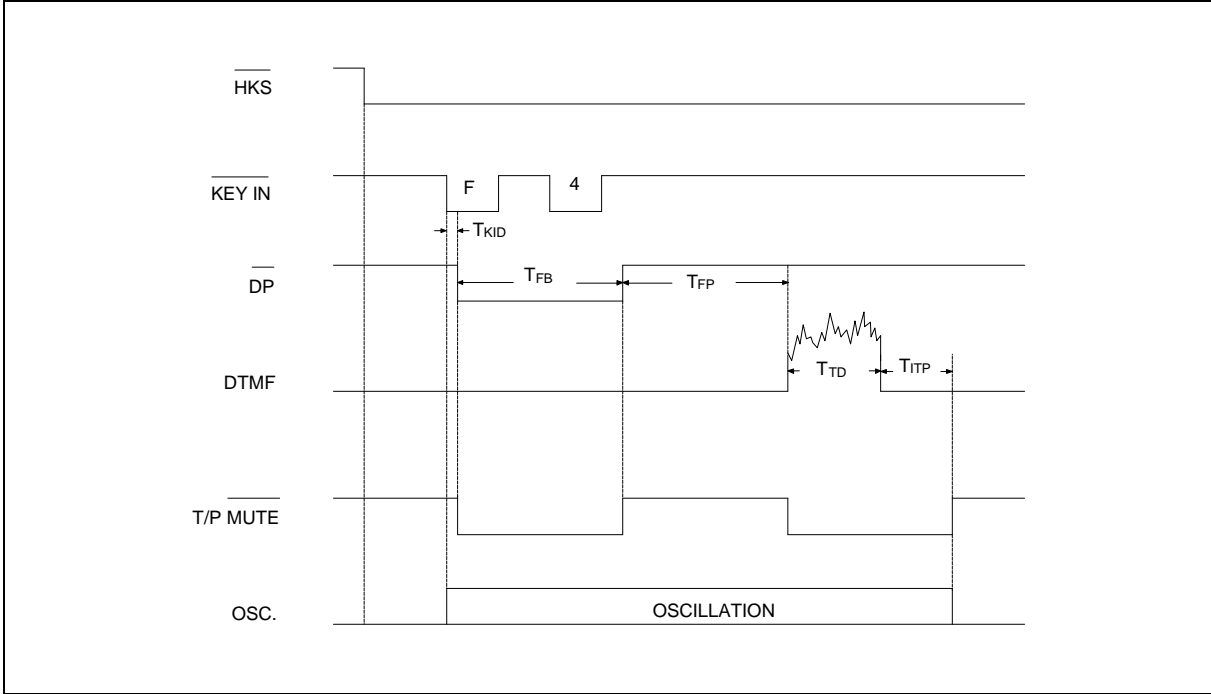


Figure 5. Flash Function Timing Diagram

# W91310 SERIES



#### Headquarters

No. 4, Creation Rd. III,  
Science-Based Industrial Park,  
Hsinchu, Taiwan  
TEL: 886-3-5770066  
FAX: 886-3-5792697  
<http://www.winbond.com.tw/>  
Voice & Fax-on-demand: 886-2-7197006

#### Taipei Office

11F, No. 115, Sec. 3, Min-Sheng East Rd.,  
Taipei, Taiwan  
TEL: 886-2-7190505  
FAX: 886-2-7197502

#### Winbond Electronics (H.K.) Ltd.

Rm. 803, World Trade Square, Tower II,  
123 Hoi Bun Rd., Kwun Tong,  
Kowloon, Hong Kong  
TEL: 852-27516023  
FAX: 852-27552064

#### Winbond Electronics North America Corp.

**Winbond Memory Lab.**  
**Winbond Microelectronics Corp.**  
**Winbond Systems Lab.**  
2730 Orchard Parkway, San Jose,  
CA 95134, U.S.A.  
TEL: 1-408-9436666  
FAX: 1-408-9436668

Note: All data and specifications are subject to change without notice.