



EVERLIGHT ELECTRONICS CO.,LTD.

Device Number : DLE-125-107 REV: 1.0

3mm Round Small Flange Without stand-off LEDs, T-1

MODEL NO : 1254YD-AA/F14-45 ECN : _____ Page: 1/4

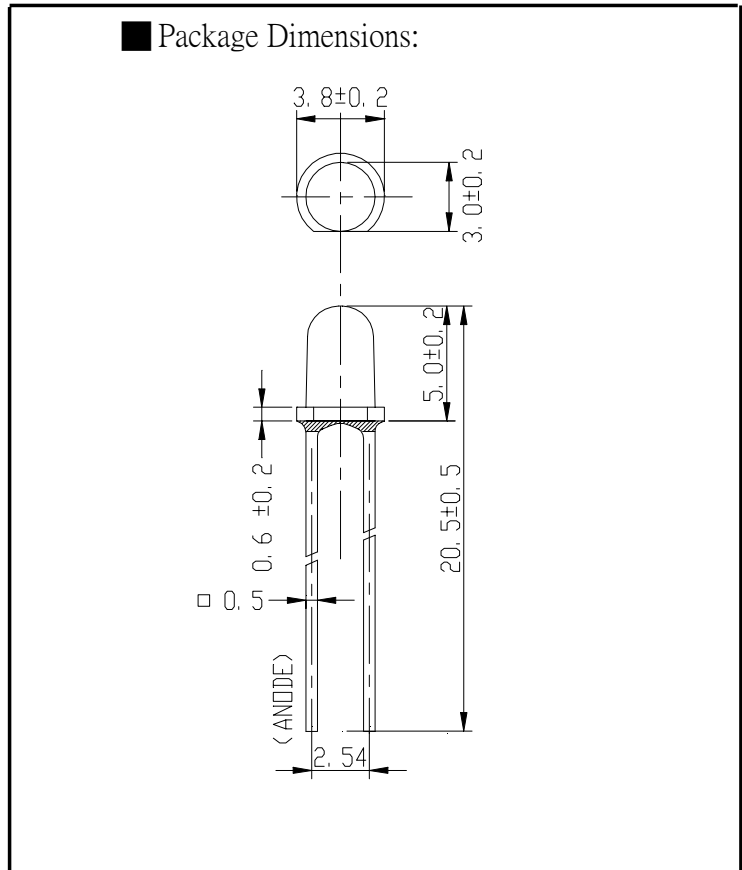
Features :

- High luminous power.
- Can be driven at low current.
- 2.54mm lead spacing.
- Available on tape and reel.

Descriptions :

- The series is specially designed for applications requiring higher brightness.
- The LED lamps are available with different colors,intensities, epoxy colors, etc.

Package Dimensions:



Applications :

- TV Set
- Monitor
- Telephone
- Computer

Notes :

- 1.All dimensions are in millimeters.
2. An epoxy meniscus may extend about 1.5mm(0.059") down to the lead.

PART NO	Chip		Lens Color
	Material	Emitted Color	
1254YD-AA/F14-45	GaAsP/GaP	Yellow	Yellow Diffused

B89061458,8906075

OFFICE : NO. 25,Lane 76,Sec.3, Chung Yang Rd., Tucheng 236, Taipei, Taiwan, R.O.C.

TEL : 886-2-2267-2000,2267-9936

FAX : 886-2-2267-6244,22676189,22676306

http://www.everlight.com



EVERLIGHT ELECTRONICS CO.,LTD.

Device Number : DLE-125-107 REV: 1.0

3mm Round Small Flange Without stand-off LEDs, T-1

MODEL NO : 1254YD-AA/F14-45 ECN : Page: 2/4

■ Absolute Maximum Ratings at Ta = 25°C

Parameter	Symbol	Rating	Unit
Forward Current	If	25	mA
Operating Temperature	Topr	-40 to +85	°C
Storage Temperature	Tstg	-40 to +100	°C
Soldering Temperature	Tsol	260 ± 5	°C
Power Dissipation	Pd	85	mW
Peak Forward Current(Duty 1/10 @ 1KHZ)	If(Peak)	160	mA
Reverse Voltage	Vr	5	V

■ Electronic Optical Characteristics :

Parameter	Symbol	MIN.	TYP.	MAX.	Unit	Condition
Luminous Intensity	Iv	10.0	16.0	----	mcd	If=10mA
Viewing Angle	2θ 1/2	-----	40	----	deg	If=20mA
Peak Wavelength	λ p	----	585	----	nm	If=20mA
Dominant Wavelength	λ d	----	590	----	nm	If=20mA
Spectrum Radiation Bandwidth	△ λ	----	35	----	nm	If=20mA
Forward Voltage	Vf	1.7	2.0	2.4	V	If=20mA
Reverse Current	Ir	----	----	10	μ A	Vr=5V



3mm Round Small Flange Without stand-off LEDs, T-1

■ Typical Electro-Optical Characteristic Curves

