

### Features

- Single-Turn / Carbon / Commercial Open Frame
- Cross slot rotor design suitable for automatic adjustment equipment
- Board retention feature
- Enclosed cover
- PC board stand-offs

Model 3318 is currently available, although not recommended for new designs. Models 3306F & 3306K are preferred.

- Adjustable front/back, top/bottom
- RoHS compliant\*
- For trimmer applications/processing guidelines, [click here](#)

## 3318 - 6 mm Square Trimpot® Trimming Potentiometer

### Electrical Characteristics

Standard Resistance Range ..... 100 to 1 megohm  
 (see standard resistance table)  
 Resistance Tolerance ..... ±30 %  
 (tighter tolerances available)  
 Contact Resistance Variation...10 % max.  
 Resolution ..... Infinite  
 Adjustment Angle ..... 210 ° ±20 °

### Environmental Characteristics

Power Rating  
 100-500K ohms ..... 50 V  
 >500K ohms..... 25 V  
 50 °C ..... 0.1 watt  
 Temperature Range ... -25 °C to +100 °C  
 Temperature Coefficient... ±1000 ppm/°C  
 Load Life.. 1,000 hours 0.1 watt @ 70 °C  
 (20 % ΔTR)

### Physical Characteristics

Torque (Operating) ..... 20-250 g-cm  
 Stop Strength  
 Knob Side ..... 750 g-cm  
 Reverse Side ..... 350 g-cm  
 Terminals ..... Solderable pins  
 Marking..... Resistance code, date code  
 Standard Packaging....500 pcs. per bag  
 Adjustment Tool..... H-90  
 Aqueous cleaning not recommended.

### How To Order

**3318 K - 1 - 103**

Model \_\_\_\_\_  
 Style \_\_\_\_\_  
 Standard or Modified Product Code \_\_\_\_\_  
 -1 = 30 % TR Tolerance (Standard)  
 -2 = 20 % TR Tolerance  
 Resistance Code \_\_\_\_\_  
 Packaging Options \_\_\_\_\_  
 Blank = 500 pcs./bag (Standard)  
 A = Ammo Pack - 1000 pcs./box

### Standard Resistance Table

Resistance (Ohms)	Resistance Code
<b>100</b>	<b>101</b>
<b>200</b>	<b>201</b>
<b>500</b>	<b>501</b>
<b>1,000</b>	<b>102</b>
<b>2,000</b>	<b>202</b>
<b>5,000</b>	<b>502</b>
<b>10,000</b>	<b>103</b>
<b>20,000</b>	<b>203</b>
<b>50,000</b>	<b>503</b>
<b>100,000</b>	<b>104</b>
200,000	204
500,000	504
1,000,000	105

Popular values listed in boldface. Others are typically not stocked by distributors and are not recommended for new designs.

\*RoHS Directive 2002/95/EC Jan 27 2003 including Annex.

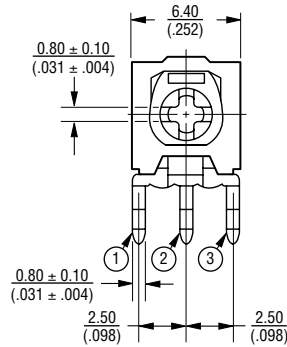
Specifications are subject to change without notice.

Customers should verify actual device performance in their specific applications.

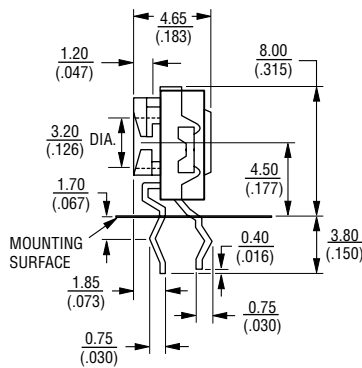
### Product Dimensions

3318K

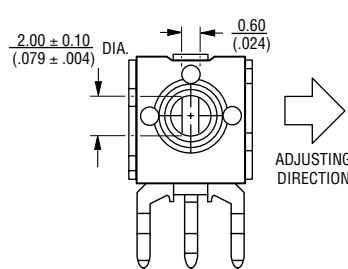
FRONT VIEW



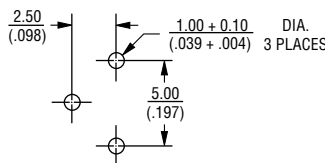
REAR VIEW



REAR VIEW

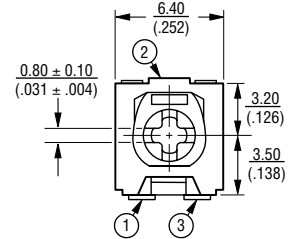


SUGGESTED PWB LAYOUT

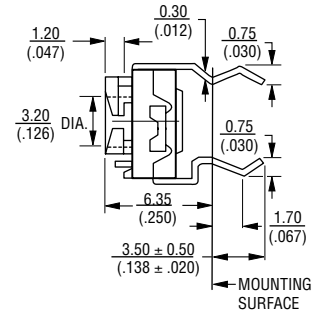


3318F

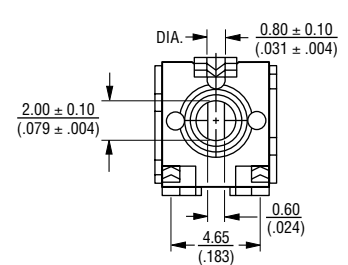
FRONT VIEW



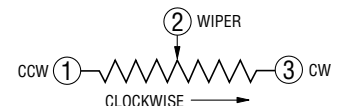
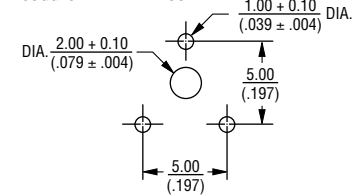
FRONT VIEW



REAR VIEW



SUGGESTED PWB LAYOUT



DIMENSIONS:  $\frac{\text{MM}}{\text{(INCHES)}}$

TOLERANCES: ±  $\frac{0.25}{(.010)}$  EXCEPT WHERE NOTED

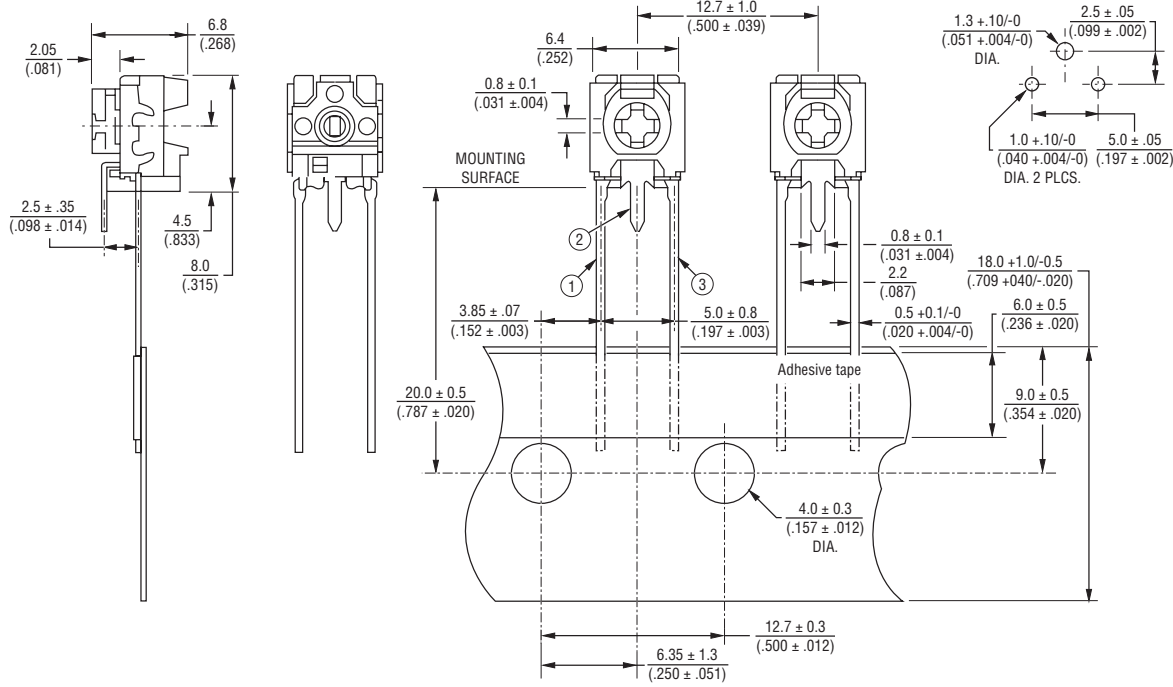
# 3318 - 6 mm Square Trimpot® Trimming Potentiometer

**BOURNS®**

## Packaging Specifications

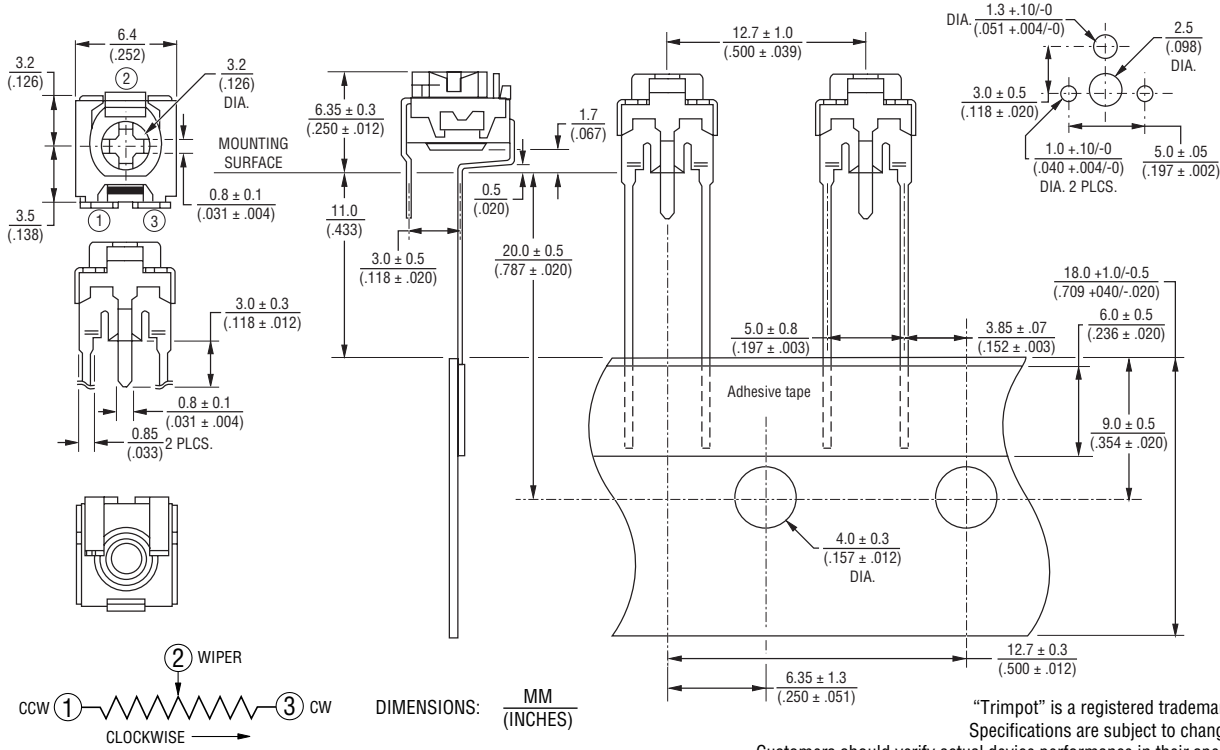
### Ammo Pack Model 3318K

### Recommended PCB Layout



### Ammo Pack Model 3318F

### Recommended PCB Layout



REV. 08/10

"Trimpot" is a registered trademark of Bourns, Inc. Specifications are subject to change without notice.

Customers should verify actual device performance in their specific applications.