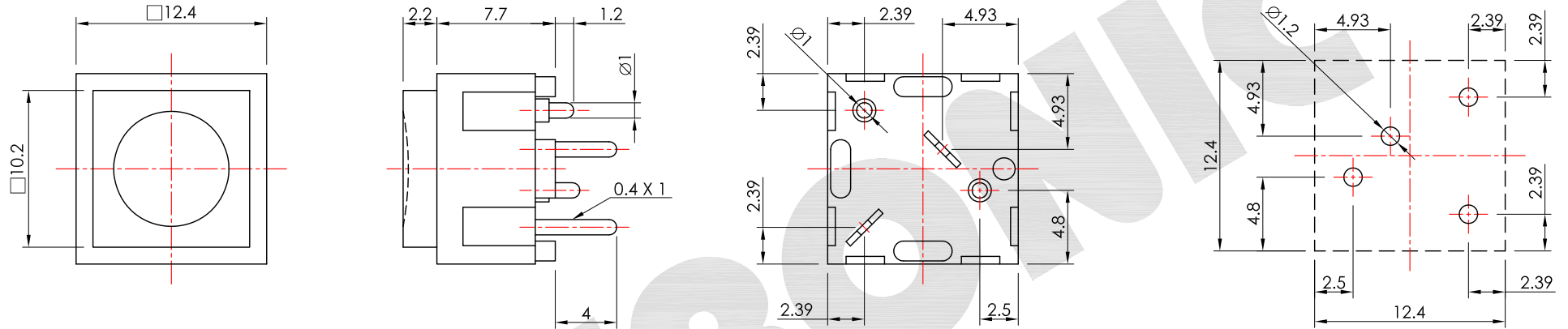


*開關產品未經SWITRONIC同意，請勿拆解，否則無法負品質及安全責任。

Please do not decompose the switch without any permission from SWITRONIC, otherwise the quality and safety responsibility could not be guaranteed.

*本圖面若與目錄之規格尺寸不符，以本圖面規格尺寸為主。

Below is our main specification if different from catalog.



SPECIFICATION

Rating: 0.25A 125V AC.

Function: OFF-(ON).

Contact resistance: ≤30mΩ.(initial)

Insulation resistance: ≥100MΩ at 500V DC.(initial)

Withstand voltage: 500V AC for 1 minute.(initial)

Operating force: 250±50g.

Life: 40,000 Cycles.

Soldering temperature: 250°C Max. for 3 sec.

Soldering time: 1 time only.

Note1: Unwashable, don't be immersed by epoxy and organic solvent.

Note2: Please check the actual size, do not scale the drawing page.

MATERIAL

Actuator: ABS PA-777B.

Case: PBT+30%GF.

Movable contact: Beryllium Copper, Tin plated.

Stationary contact & terminal: Copper, Tin plated.

PB-04XX

BUTTON COLOR	
R	Red
BU	Blue
B	Black
Y	Yellow
O	Orange
G	Gray
GN	Green
W	White

CONTACT AND TERMINAL	
Q	Tin plated
R	Gold plated



VER.	SYMBOL	ALTERATION	DATE
V2.4	△		
V2.3	無	改版	2013.02.18
V2.2	無	改版	2007.10.09
V2.1	無	圖框變更	2006.06.21
V2.0	無	新繪製	2003.08.20

產品 PRODUCT	Pushbutton Switch		型號 MODEL NO.	PB-04BQ
製圖 DRAWN BY	核圖 CHECKED BY	主管 APPROVED BY	單位 UNIT	mm
Gay Kang	Alex Lin	Margaret Lee	比例 SCALE	5 : 2
			公差 TOLERANCE	.X=±0.3mm, .XX=±0.2mm



一綺電子企業股份有限公司
 總公司：110 台北市信義路四段415號13樓之3
 13F-3 NO. 415, SEC. 4, HSIN YI ROAD, TAIPEI, TAIWAN
 TEL : 886-2-27290229 (Rep.) FAX : 886-2-27582086
 URL : http://www.switronic.com.tw
 E-MAIL : switches@ms36.hinet.net