

REV	MODIFICATION	DATE	DRAW
B	EN-06-0601	95/06/05	JOAN

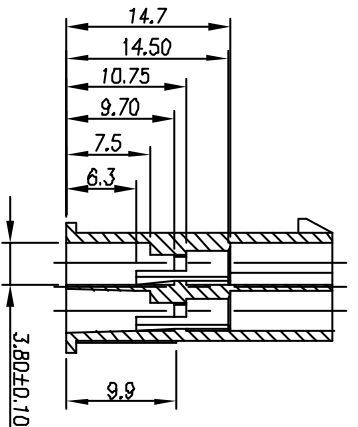
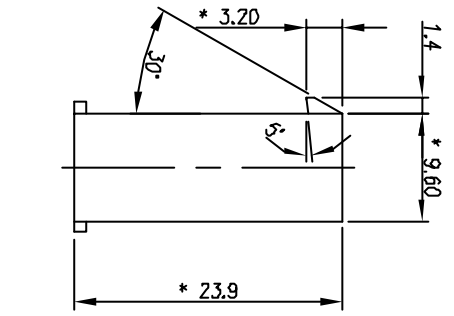
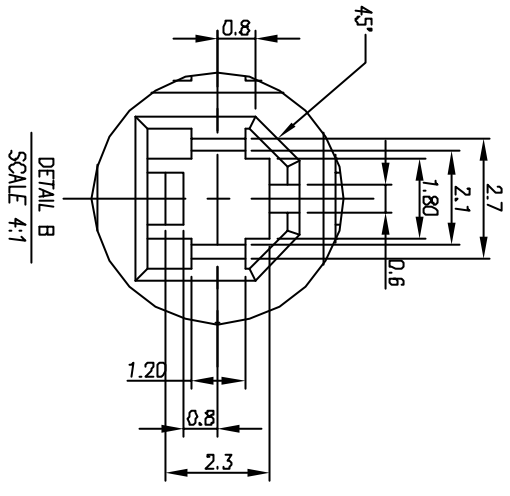
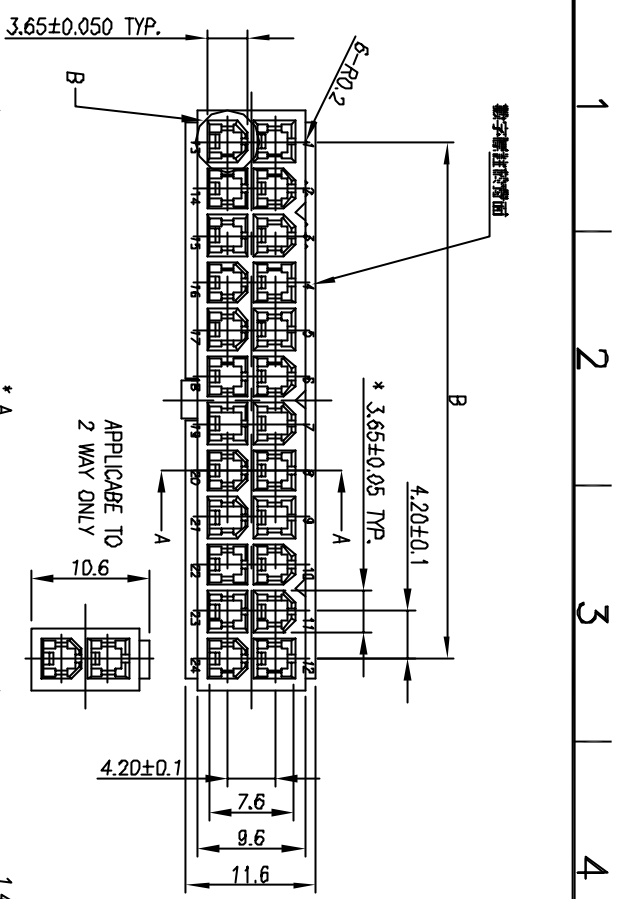
NOTES:
1. DRAFT ANGLE: 1° MAX.

ORDER INFORMATION:
P-5015- NX X 2 XX BQ

N1:NYLON 66 UL94V-0
N2:NYLON 66 UL94V-2

COLOR:
M: MILK WHITE
W: WHITE
B: BLACK

PIN NO.
ROW NO.



Part No.	Dimension		Part No.	Dimension	
	A	B		A	B
P-5015-NXX202B0	5.6		P-5015-NXX214B0	30.8	25.20
P-5015-NXX204B0	9.8	4.20	P-5015-NXX216B0	35.0	29.40
P-5015-NXX206B0	14.0	8.40	P-5015-NXX218B0	39.2	33.60
P-5015-NXX208B0	18.2	12.60	P-5015-NXX220B0	43.4	37.80
P-5015-NXX210B0	22.4	16.80	P-5015-NXX222B0	47.6	42.00
P-5015-NXX212B0	26.6	21.00	P-5015-NXX224B0	51.8	46.20

DIMENSION IN mm [inch]		PROD. SPEC.
TOLERANCE UNLESS OTHERWISE SPECIFIED		PKG. SPEC.
X±0.25	X: ± 2'	APPROVE
XX±0.13	X: ± 1'	CHECK
.XXX±	.XX ± 0.5'	DRAW

KINGFONT PRECISION INDUSTRIAL CO., LTD.
RECEPTACLE HOUSING FOR
CUSTOMER DRAWING

FILE NO.
DWG NO. P-5015-NXX2XXB0

SIZE **A4**
PROJ. SHEET 1
SCALE 1.5:1 REV B

F
E
D
C
B
A

1 2 3 4 5 6 7 8

A
B
C
D
E
F

8F-01-R10