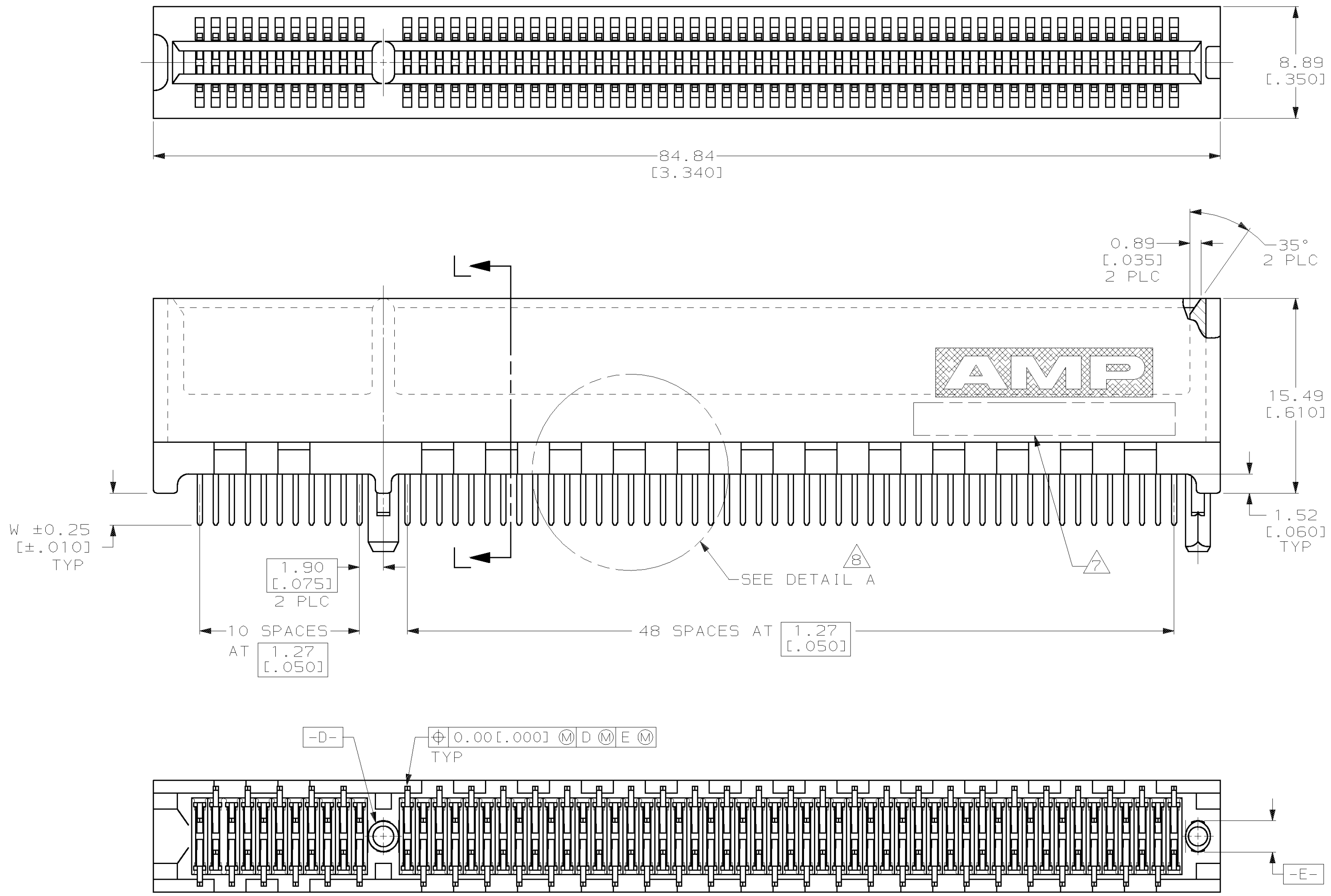
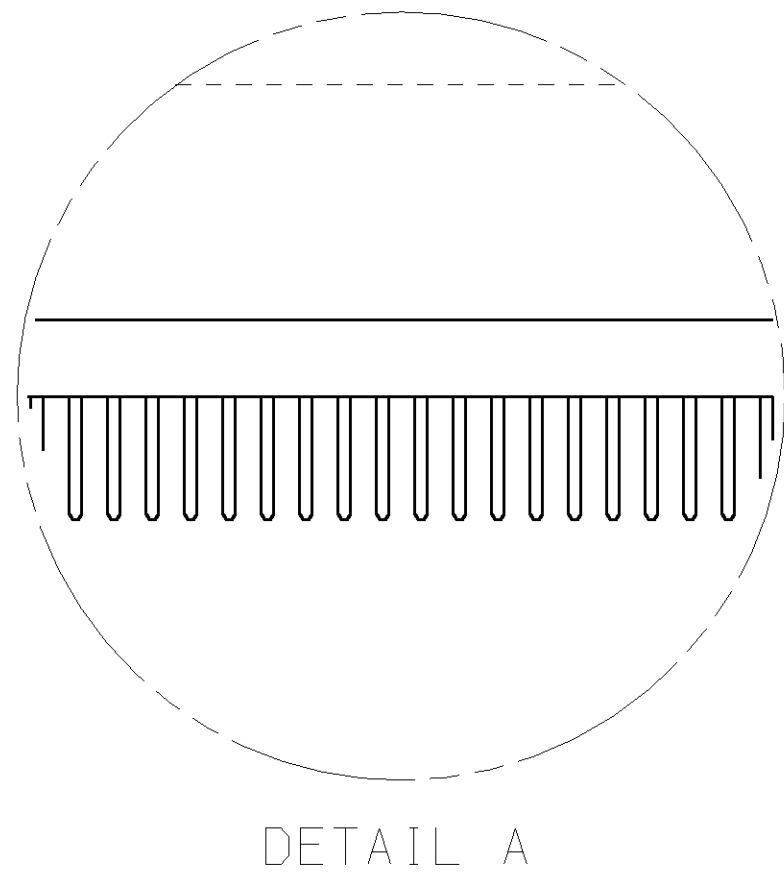


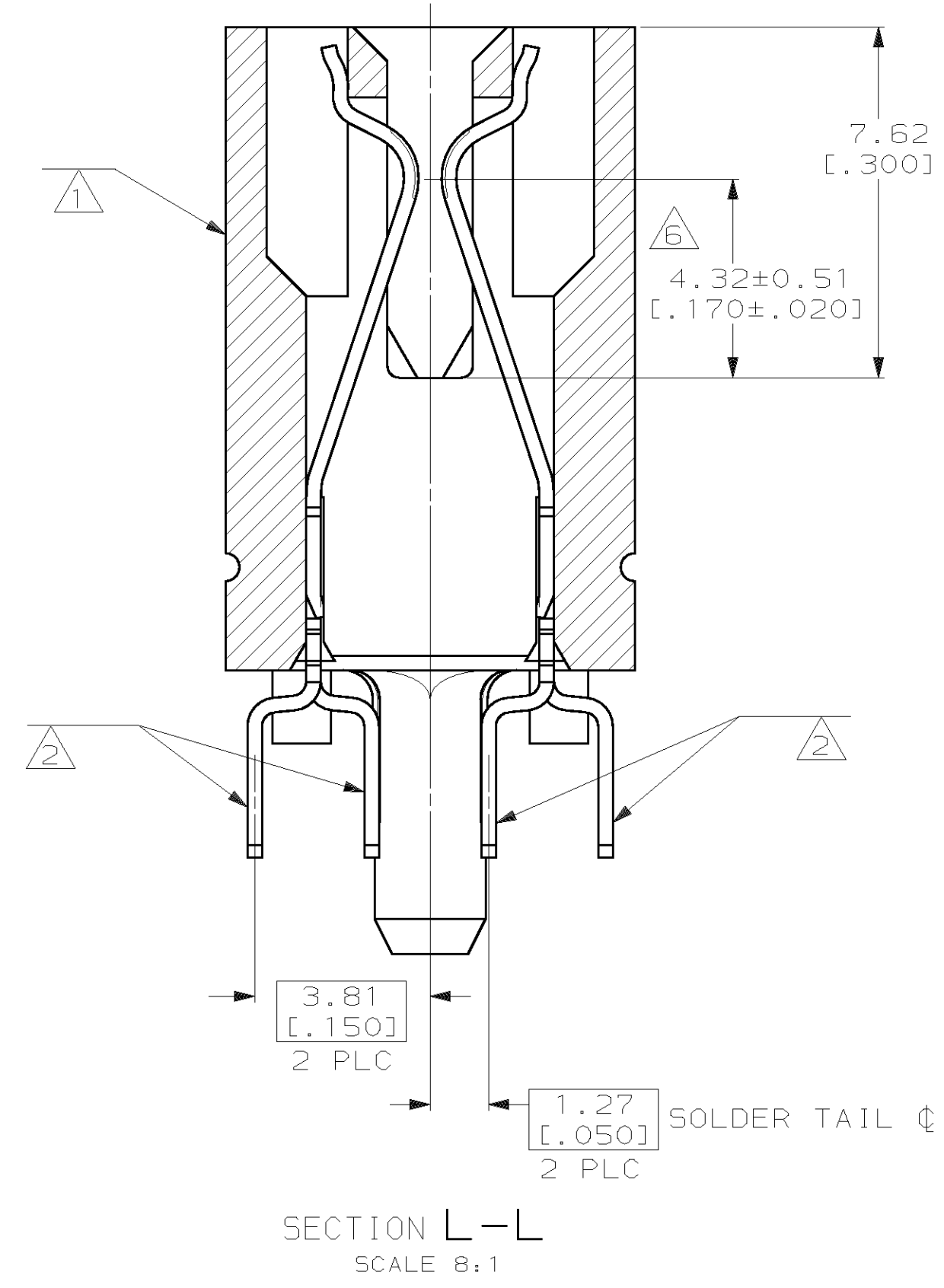
LOC		DIST		P		F		ZONE		LTR		REVISIONS	
DESCRIPTION	DATE	APPD											
E	REVISED PER EC 051B-0278-00	04SEP01	DD	PD									



SEE SHEET 2 FOR HOLE PATTERN



- ① HOUSING: HIGH TEMPERATURE THERMOPLASTIC. COLOR - NATURAL
- ② CONTACT: PHOSPHOR BRONZE.
- ③ CONTACT FINISH: .001269[.000050] MIN NICKEL ALL OVER. GOLD FLASH OVER NICKEL IN CONTACT AREA. .002537[.000100] MIN TIN-LEAD OVER NICKEL ON SOLDER TAILS.
- ④ CONTACT FINISH: .001269[.000050] MIN NICKEL ALL OVER. .000375[.000015] MIN GOLD OVER NICKEL IN CONTACT AREA. .002537[.000100] MIN TIN-LEAD OVER NICKEL ON SOLDER TAILS.
- ⑤ CONTACT FINISH: .001269[.000050] MIN NICKEL ALL OVER. .000757[.000030] MIN GOLD OVER NICKEL IN CONTACT AREA. .002537[.000100] MIN TIN-LEAD OVER NICKEL ON SOLDER TAILS.
- ⑥ DISTANCE FROM CONTACT POINT TO BOTTOM OF CARD SLOT.
- ⑦ AMP PART NUMBER, DATE CODE AND CSA LOGO MARKED IN APPROXIMATE LOCATION SHOWN.
- ⑧ CORED OR SOLID SIDE WALLS ARE AT DISCRETION OF AMP INCORPORATED.

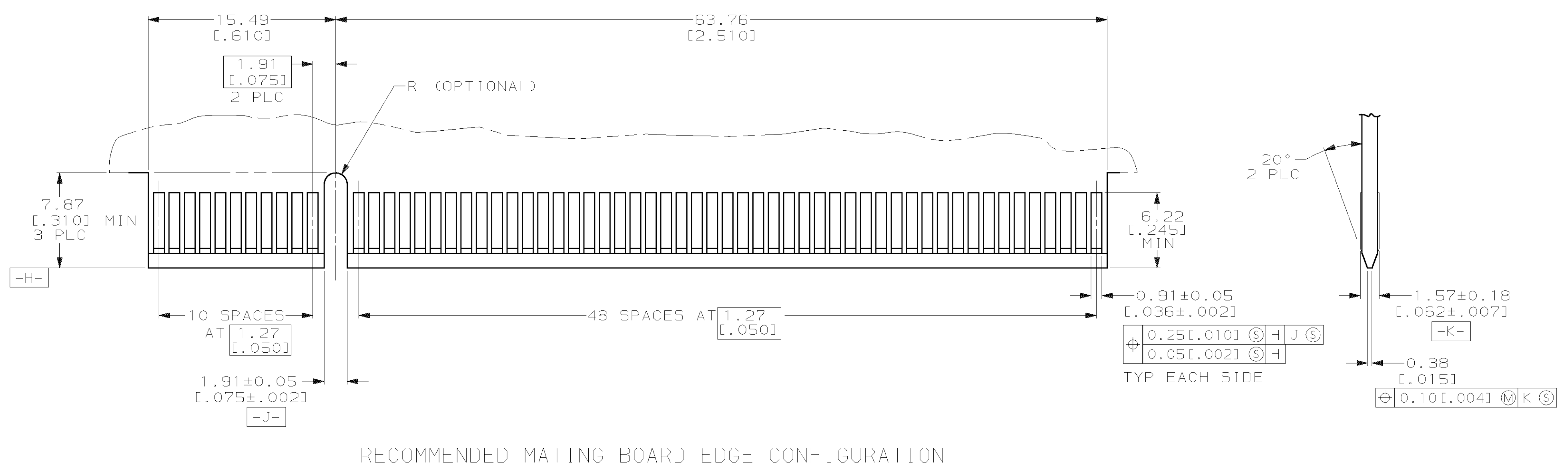


SUPERSEDED BY 145154-4

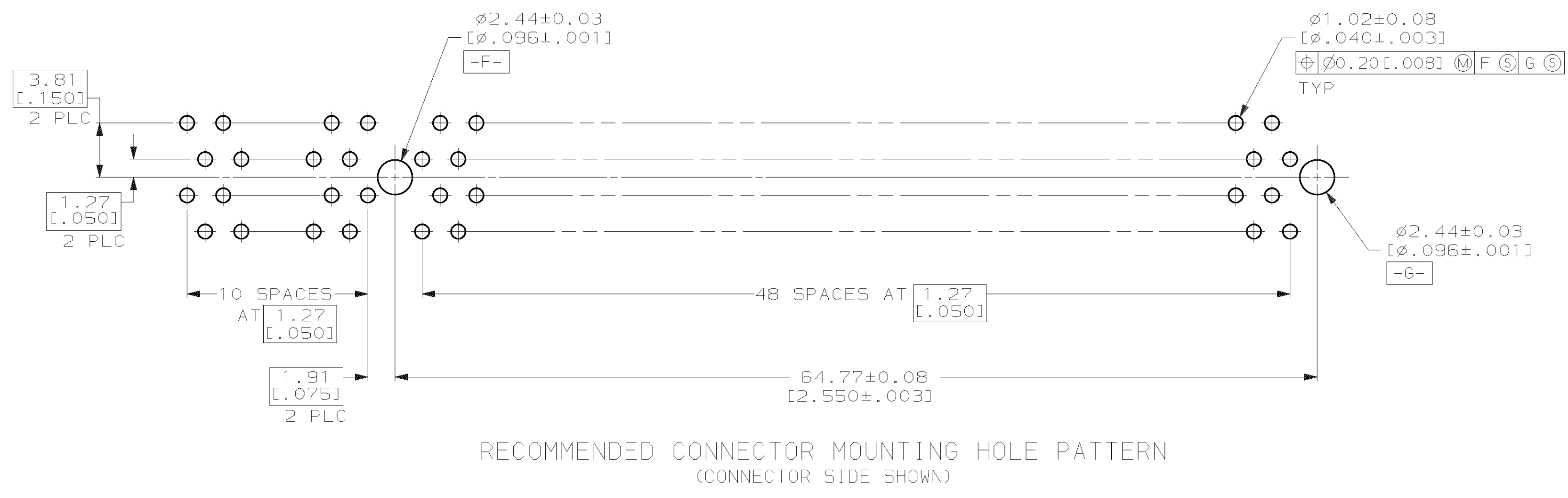
3.56 [0.140]	⑤	1-145154-2
3.18 [0.125]	⑤	145154-8
2.54 [0.100]	⑤	145154-4
2.54 [0.100]	⑤	145154-3
2.54 [0.100]	④	145154-2
2.54 [0.100]	③	145154-1
W	FINISH	PART NUMBER

DO NOT SCALE PRINT. UNLESS SPECIFIED DIMENSIONS IN mm [INCHES] TOLERANCES ON: 2 PLC DEC ± 0.25 [0.01] 3 PLC DEC ± 0.127 [0.005] ANGLES ± 2°		DR 6/9/95 R BROWN		AMP Incorporated Harrisburg, PA 17105-3608	
MATERIAL		CHK 6/9/95 M BOWERS			
FINISH		APPD 6/9/95 D SARVER		NAME CONNECTOR ASSEMBLY, 60 DUAL POSITION, 1.27 [0.050] SERIES, STANDARD EDGE	
③ ④ ⑤		PRODUCT SPEC 108-14034		SIZE D 00779	
114-26012		APPLICATION SPEC		DRAWING NO 145154	
WEIGHT		SCALE 4:1		SHEET 1 OF 2	

LOC		DIST		P		F		ZONE		LTR		REVISIONS	
DESCRIPTION	DATE	APPD											
GP 00													
E	SEE SHEET 1												



RECOMMENDED MATING BOARD EDGE CONFIGURATION



RECOMMENDED CONNECTOR MOUNTING HOLE PATTERN
(CONNECTOR SIDE SHOWN)

DO NOT SCALE PRINT. UNLESS SPECIFIED DIMENSIONS IN mm [INCHES] TOLERANCES ON: 2 PLC DEC ±0.25 [0.01] 3 PLC DEC ±0.127 [0.005] ANGLES ± 2°		DR 6/9/95 R BROWN		AMP Incorporated Harrisburg, PA 17105-3608	
SEE SHEET 1		CHK 6/9/95 M BOWERS			
SEE SHEET 1		APPD 6/9/95 D SARVER		NAME CONNECTOR ASSEMBLY, 60 DUAL POSITION, 1.27 [0.050] SERIES, STANDARD EDGE	
SEE SHEET 1		APPLICATION SPEC 114-26012		SIZE D	CAGE CODE 00779
SEE SHEET 1		WEIGHT		DRAWING NO 145154	SHEET 2 OF 2
		SCALE 4:1			

- [Home](#)
- [Part Number Search](#)
- [Document Search](#)
- [Text Search](#)
- [Alternate Part Search](#)
- [Multiple Part Comparison](#)
- [Alphabetical Search](#)
- [Brand Search](#)
- [Industry Product Search](#)
- [Product Type Search](#)
- [Product Family Search](#)
- [Competitor Cross Reference](#)
- [Lead Free Solutions](#)
- [Help/Glossary](#)

Current Brand View	View All Tyco Electronics Brands Click to activate links to all other products
AMP	

Card Edge Connectors

PCI Connectors (Standard Edge .050 Series PCI)

AMP **145154-2** **Active** [Active](#)

(Tyco Electronics P/N: 145154-2)

[CAD Geometry](#) | [Search for Parts](#) | [Previous](#) [1] [2](#) [3](#) [4](#) [5](#) [6](#) [7](#) [Next](#)

Document links for this part cannot be displayed. Your browser does not support inline frames or is currently configured not to display inline frames. Inline frames are supported in both Internet Explorer 5 and Netscape 6, as well as all later versions of these browsers.

Related Part Information		
General Information	eCommerce	Related Part Information
General Info Sales Info Assembly Subcontractors	Pricing Product Availability	

Photos & Line Drawings - The photographs and/or line drawings are representative images of a product for viewing purposes only.

[Product Photo](#)

Searchable Features:	
Brand:	AMP
No. of Dual Positions:	60
Bus Width:	32 Bit
Voltage (VAC):	3.3, 5
PCB Mount Style:	Thru Hole
Contact Mating Area Plating:	Gold (15)
PCB Retention Method:	Pylon
Termination Post Length (mm [in]):	2.54 [0.100]

Other Properties:	
Centerline (mm [in]):	1.27 [0.050]
Contact Material:	Phosphor Bronze
Solder Tail Plating:	Tin-Lead
Housing Material:	Thermoplastic
Housing Color:	White
No. of Pylons:	2
Pylon Material:	Plastic
Comment:	Supplied with either cored or solid side walls. Connector features one key at position 11.

[Copyright](#) and [Privacy Statement](#)

Visit [Tyco International, Ltd.](#)

[Products](#) | [Catalog](#) | [Brands](#) | [Industries](#) | [Commerce](#) | [Supplier](#) | [Customer Service](#) | [About](#) | [Home](#)